

Hot Wire Foam Cutter

Model: KD-60K

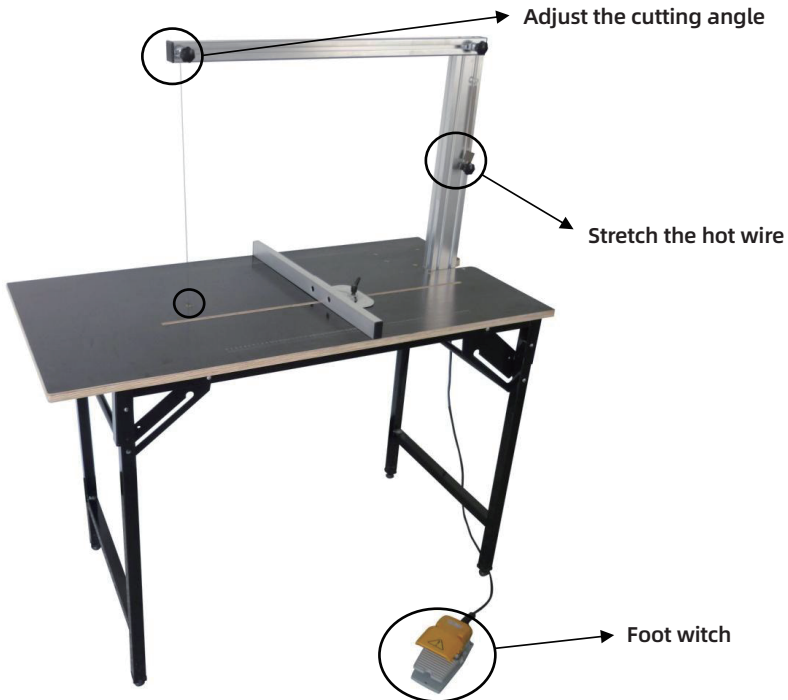
Application:

KD-60K Table model for vertical and diagonal cutting of styrofoam material. It also can be used to cut corner and cylinder. It is used in the building and packing industry.

Operate:

A Constant current power supply heats the hot wire in 10-15 secs. to approx.550°C (1022°F).

- The table frame is folding
- The wire holding arm is removable.
- Equipped with foot switch, it's more safe and economic.



Caution

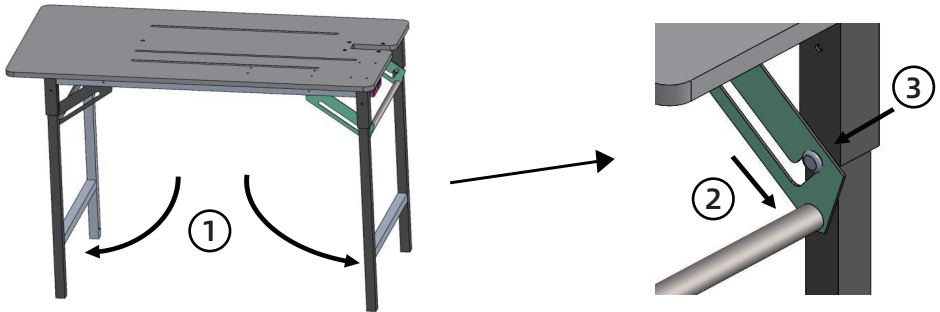
- Always operate the foam cutter in well ventilated space.
- Do not touch the wire when working.
- Do not stretch the wire too tight.

Specification:

Model	KD-60K
Voltage	100-240V
Weight	20kg
Power	MAX.150W
Cutting temperature	550°C
Diameter of Wire	Ø 0.5mm
Cutting height	350mm - 550mm
Size of table-board	120 X 60 cm

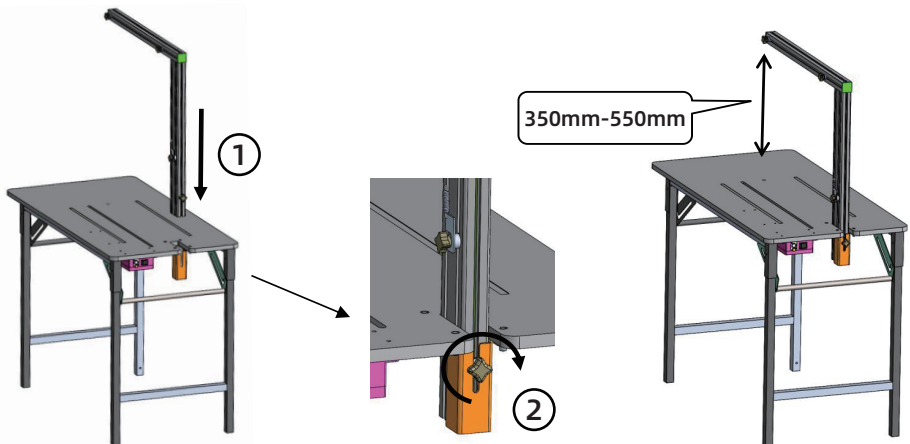
1. Unfold the stand

Unfold the table legs and press the round tubes downward on both sides until the pins are inserted into the slots. This will secure the table legs. To disassemble, simply reverse the steps.



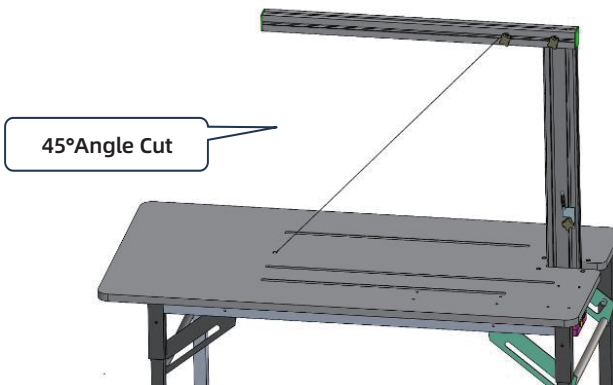
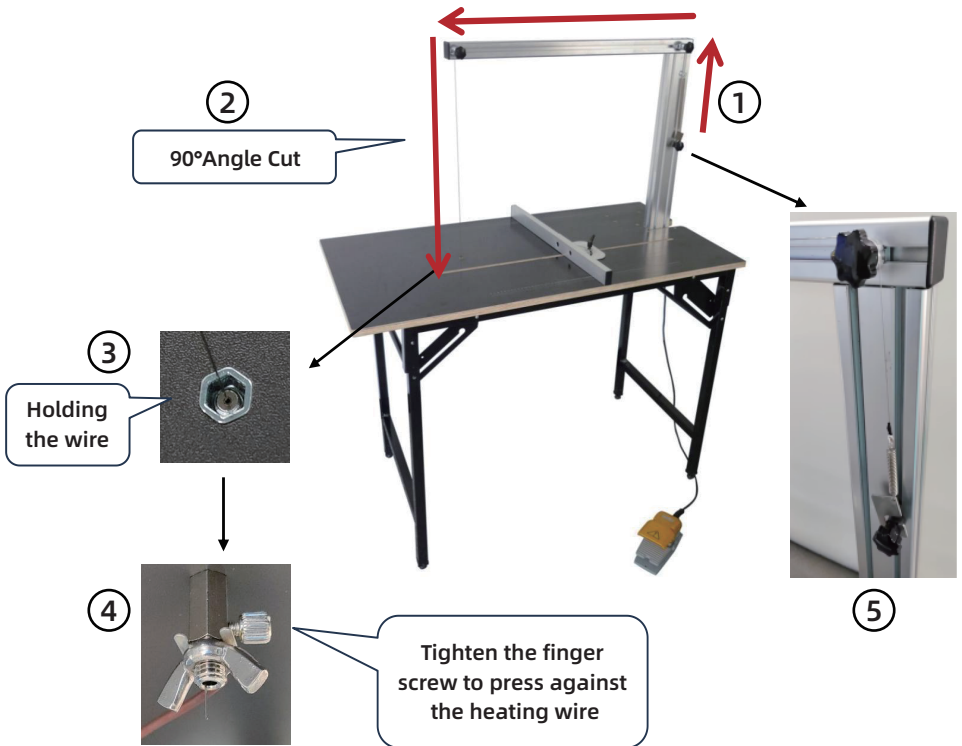
2. Install aluminum profiles

Insert the L-shaped bracket into the rectangular slot on the tabletop ① and tighten the screws manually to secure it ② .

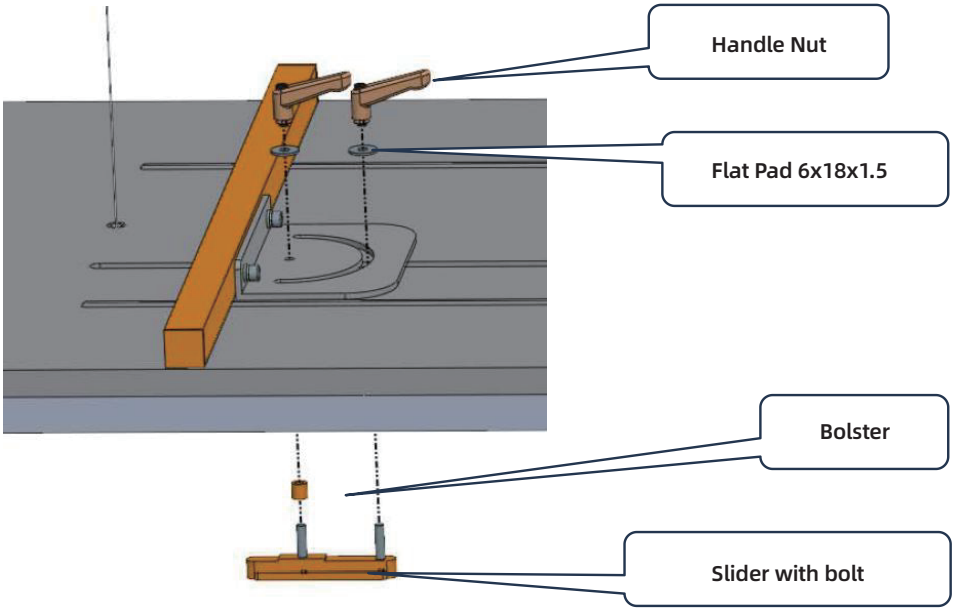


3. Install Hot Wire

Hot wire terminal hangs on spring ①, Go around the 2 hot wire shafts to the left ②, after passing through the bolts on the board ③, and then tighten the hand-tightening bolts ④, at last stretch the spring downwards by an appropriate amount and tighten the bolts ⑤.



4. Install Guide Ruler



5. Install the foot switch

Turn on the switch, step on the foot switch to power on, and the hot wire will become hot.

