

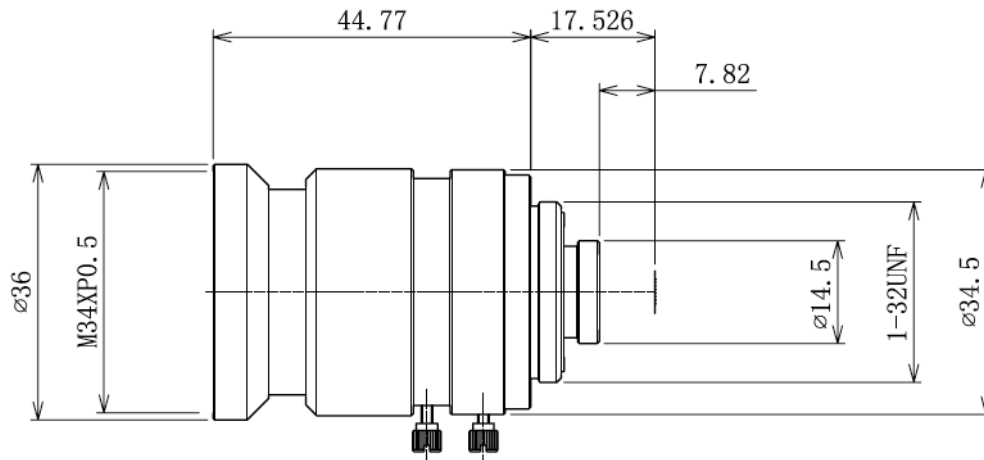
# ATO

---

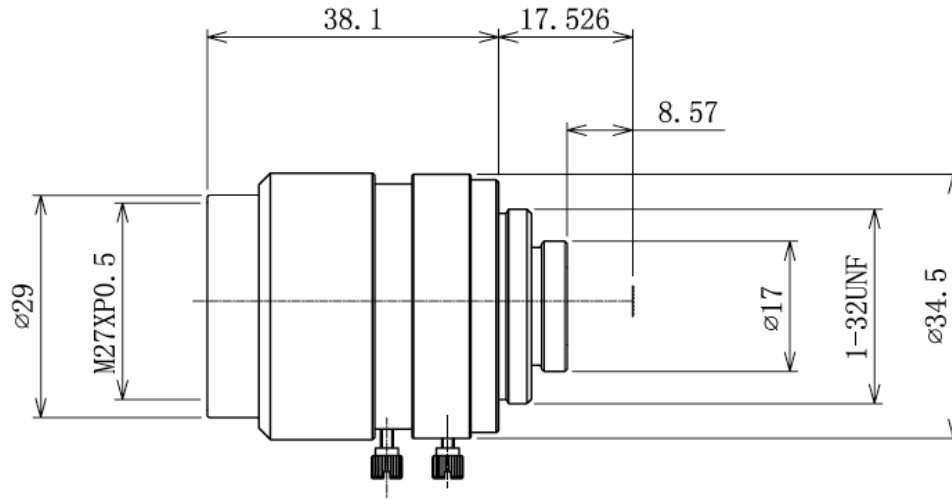
## LEM Series Industrial Lens



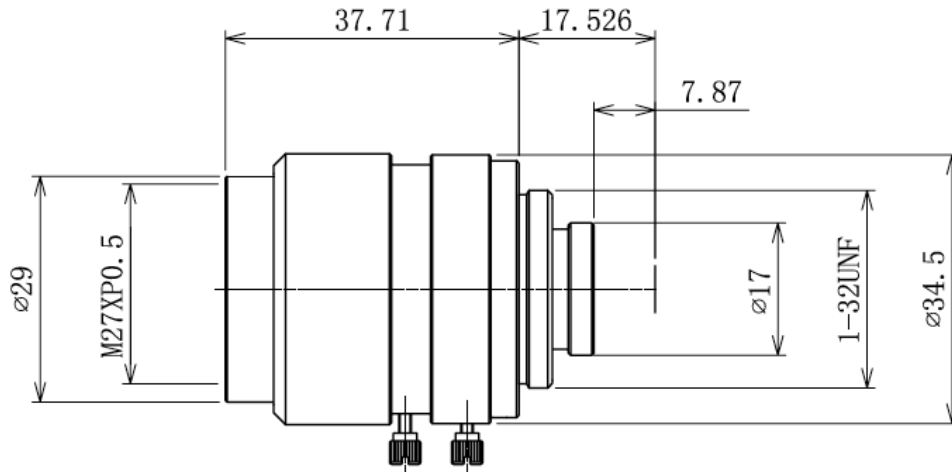
- 500 Mega Pixel
- Ultra-low physical distortion
- Ultra-low TV distortion
- 4.5-75mm focal length
- Custom-made



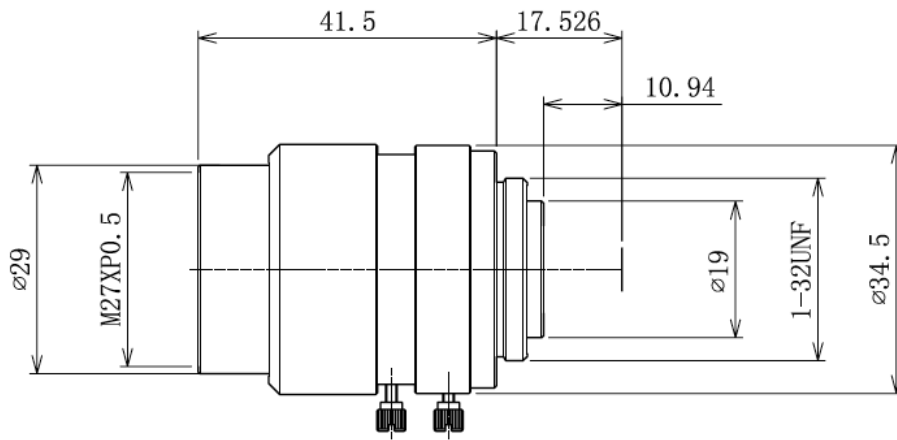
Model	LEM-0616-MP5		
Sensor	1/1.8 " CCD/CMOS		
Image Format (HxV, D)	7.18×5.38 , 8.933		
Format/Image Size	1/1.8"		
Focal Length/EFL	16mm		
F-number/Aperture	1.6		
FOV (Field of View)		1/1.8"	2/3"
	D.	71.7°	65.8°
	H.	60.1°	54.6°
	V.	46.6°	42.1°
Back Focal Length	7.94mm		
Lens Effective Diameter	Front	ø21.56mm	
	Back	ø10.1mm	
Lens Construction	10-9		
TV Distortion	< -0.54%		
Resolution	5 Mega Pixel		
Relative Illumination	> 61.3%		
Iris	Manual		
Max Chief Ray Angle	16.44°		
M.O.D	0.1m		
Mount	1-32UNF		
TTL	60.49mm		
Dimension (ø×L)	ø36×44.70mm		



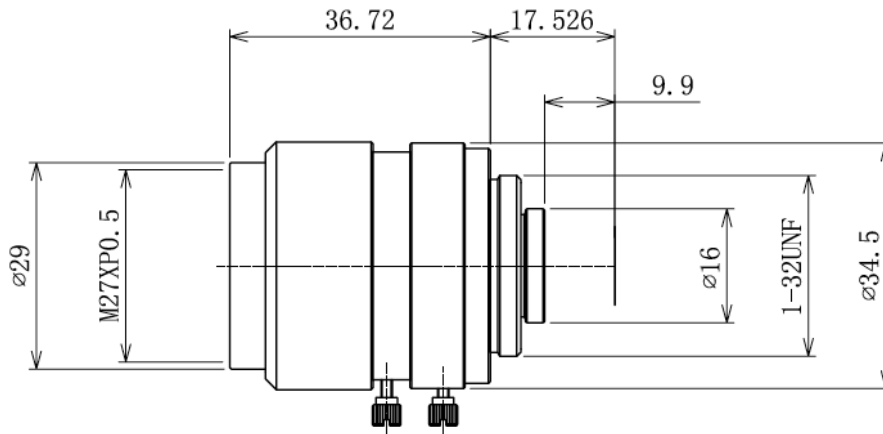
Model		LEM-0814-MP5	
Sensor		1/1.8" CCD/CMOS	
Image Format (HxV, D)		7.18x5.38 , 8.933	
Image Size		1/1.8"	
EFL		8.0mm	
F-number		1.4	
FOV		1/1.8"	2/3"
	D.	56°	50.8°
	H.	46°	41.5°
	V.	35.5°	31.7°
Back Focal Length		9.03mm	
Lens Effective Diameter	Front	ø16.84mm	
	Back	ø9.0mm	
Lens Construction		10-9	
TV Distortion		< -0.29%	
Resolution		5 Mega Pixel	
Relative Illumination		> 74.9%	
Iris		Manual	
Max Chief Ray Angle		14.01°	
M.O.D		0.1m	
Mount		1-32UNF	
TTL		53.37mm	
Dimension (øxL)		ø29x38mm	



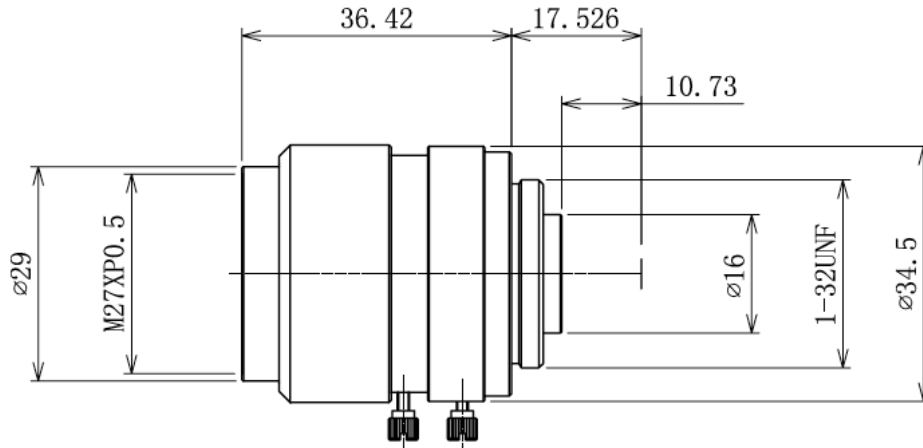
Model		LEM-1216-MP5	
Sensor		2/3" CCD/CMOS	
Image Format (HxV, D)		8.8×6.6 , 11	
Image Size		2/3"	
EFL		12.0mm	
F-number		1.6	
FOV		2/3"	1/1.8"
	D.	48°	39.8°
	H.	39°	32.2°
	V.	30°	24.4°
Back Focal Length		8.43mm	
Lens Effective Diameter	Front	ø18.2mm	
	Back	ø9.0mm	
Lens Construction		10-8	
TV Distortion		< -0.21%	
Resolution		5 Mega Pixel	
Relative Illumination		> 64.7%	
Iris		Manual	
Max Chief Ray Angle		18.8°	
M.O.D		0.1m	
Mount		1-32UNF	
TTL		52.98mm	
Dimension (ø×L)		ø29×37.71mm	



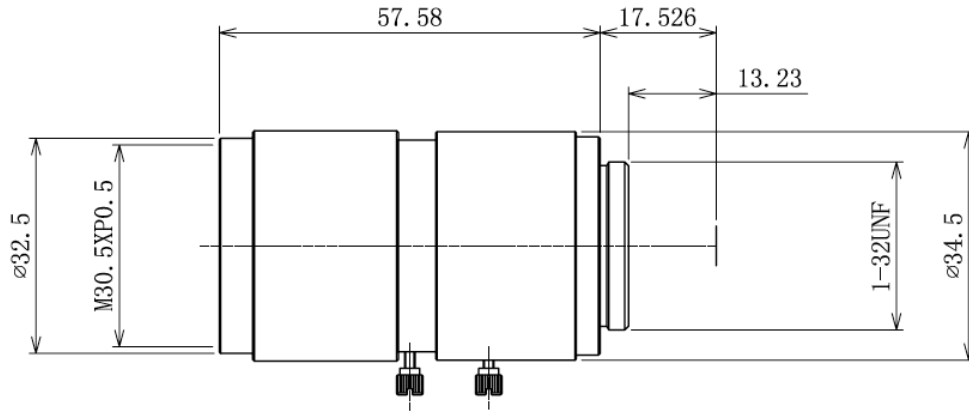
Model	LEM-1616-MP5		
Sensor	2/3" CCD/CMOS		
Image Format (HxV, D)	8.8x6.6, 11		
Image Size	2/3"		
EFL	16.0mm		
F-number	1.6		
FOV		2/3"	1/1.8"
	D.	37°	30°
	H.	29.5°	24.5°
	V.	22.6°	18°
Back Focal Length	9.03mm		
Lens Effective Diameter	Front	ø19.8mm	
	Back	ø11.1mm	
Lens Construction	9-7		
TV Distortion	< -0.5%		
Resolution	5 Mega Pixel		
Relative Illumination	> 80%		
Iris	Manual		
Max Chief Ray Angle	15.3°		
M.O.D	0.2m		
Mount	1-32UNF		
TTL	57.02mm		
Dimension (ø×L)	ø29×41.5mm		



Model	LEM-2518-MP5		
Sensor	2/3 " CCD/CMOS		
Image Format (HxV, D)	8.8×6.6 , 11		
Image Size	2/3"		
EFL	25.0mm		
F-number	1.8		
F.O.V		2/3°	1/1.8°
	D.	23°	19.2°
	H.	19°	15.4°
	V.	14°	11.6°
Back Focal Length	10.38mm		
Lens Effective Diameter	Front	ø18.2mm	
	Back	ø12.4mm	
Lens Construction	7-5		
TV Distortion	< -0.25%		
Resolution	5 Mega Pixel		
Relative Illumination	> 79%		
Iris	Manual		
Max Chief Ray Angle	11.09°		
M.O.D	0.3m		
Mount	1-32UNF		
TTL	39.70mm		
Dimension (ø×L)	ø29×36.72mm		

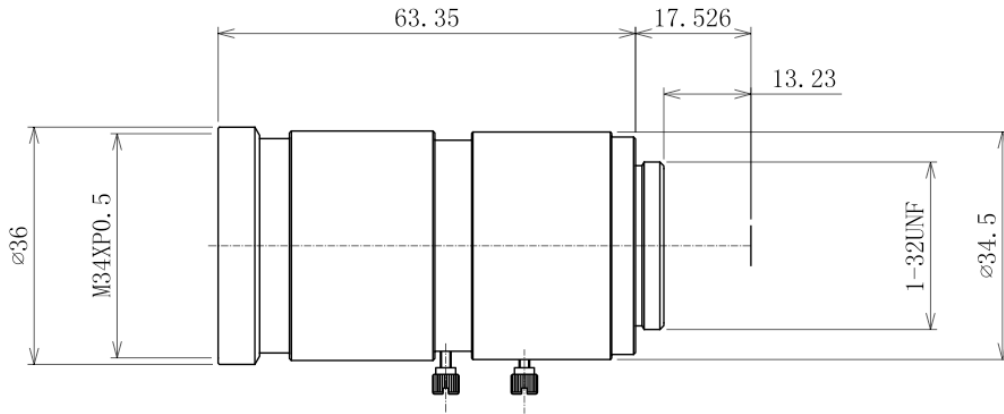


Model		LEM-3520-MP5	
Sensor		2/3 " CCD/CMOS	
Image Format (HxV, D)		8.8x6.6 , 11	
Image Size		2/3"	
EFL		35.0mm	
F-number		2.0	
FOV		2/3"	1/1.8"
	D.	17°	14.4°
	H.	14°	11.5°
	V.	10°	8.7°
Back Focal Length		11.36mm	
Lens Effective Diameter	Front	$\varnothing 18.9$ mm	
	Back	$\varnothing 12.10$ mm	
Lens Construction		6-4	
TV Distortion		< -0.19%	
Resolution		5 Mega Pixel	
Relative Illumination		> 84%	
Iris		Manual	
Max Chief Ray Angle		8.61°	
M.O.D		0.4m	
Mount		1-32UNF	
TTL		43.84mm	
Dimension ( $\varnothing \times L$ )		$\varnothing 29 \times 36.42$ mm	



Model	LEM-5025-MP5		
Sensor	2/3" CCD/CMOS		
Image Format (HxV, D)	8.8x6.6, 11		
Image Size	2/3"		
EFL	50.0mm		
F-number	2.5		
F.O.V		2/3"	1/1.8"
	D.	12°	9.8°
	H.	9.7°	7.9°
	V.	7.3°	5.9°
Back Focal Length	18.27mm		
Lens Effective Diameter	Front	ø19.08mm	
	Back	ø11.00mm	
Lens Construction	6-4		
TV Distortion	< -0.04%		
Resolution	5 Mega Pixel		
Relative Illumination	> 76.2%		
Iris	Manual		
Max Chief Ray Angle	7.97°		
M.O.D	0.5m		
Mount	1-32UNF		
TTL	57.27mm		
Dimension (øxL)	ø32.50x57.58mm		





Model	LEM-7528-MP5		
Sensor	1 " CCD/CMOS		
Image Format (HxV, D)	12.8x9.6 , 16		
Image Size	1"		
EFL	75.0mm		
F-number	2.8		
F.O.V		1"	2/3"
	D.	11.4°	7.9°
	H.	9.2°	6.3°
	V.	6.9°	4.8°
Back Focal Length	17.69mm		
Lens Effective Diameter	Front	ø29.40mm	
	Back	ø17.00mm	
Lens Construction	6-5		
TV Distortion	< -0.07%		
Resolution	5 Mega Pixel		
Relative Illumination	> 97.6%		
Iris	Manual		
Max Chief Ray Angle	8.29°		
M.O.D	0.6m		
Mount	1-32UNF		
TTL	79.38mm		
Dimension (ø×L)	ø36×63.35mm		

A decorative graphic on the left side of the page consisting of several overlapping, flowing, translucent blue shapes that resemble liquid or smoke, creating a sense of movement and depth.

# ATO

Add.: 23555 Golden Springs DR. K-1, Diamond Bar, CA 91765 USA

Tel: +1 800-585-1519 (Toll-free)

E-mail: [sales@ato.com](mailto:sales@ato.com)

Website: [www.ato.com](http://www.ato.com)