

Function



The use of security door locks to monitor the status of security doors ensures reliable shutdown of equipment.



Application



sliding door area



security door area



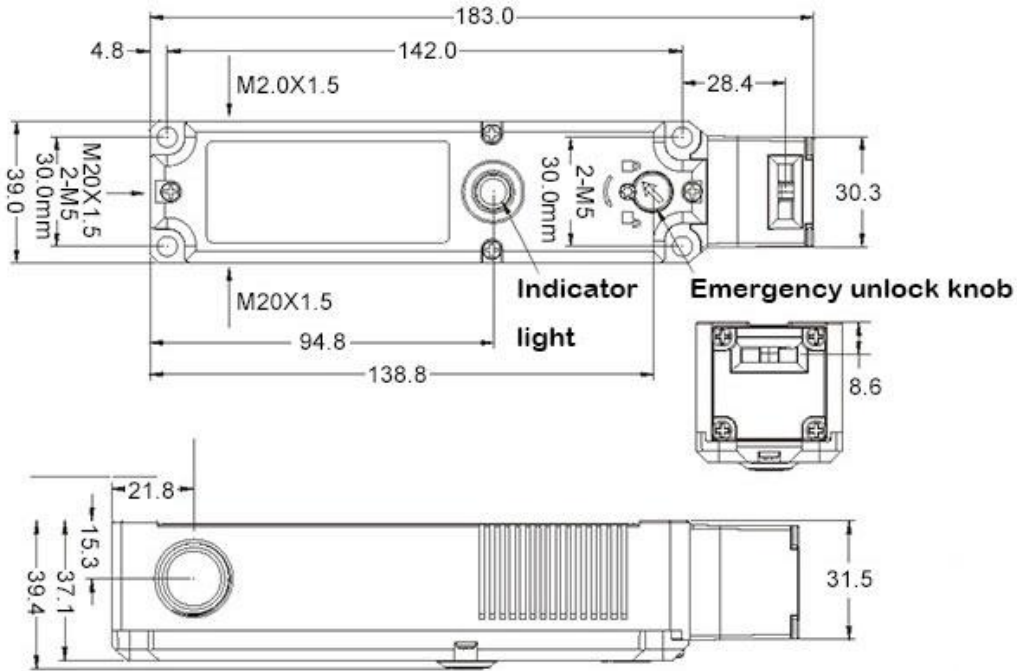
left & right slide door devices

Product Characteristics

Compact and lightweight, easy to install, with a wide range of contact configurations and locking functions, this is the lowest cost solution for a wide range of applications as it is adaptable to a wide range of operating keys and offers a variety of options as a means of mounting on protective doors.

Model	ATO-DX-W2
Rated Voltage	24VDC
Indicator Lamp Rated Current	1mA
Indicator Light Source Color	Green
Solenoid Rated Working Voltage	DC24V±10%
Solenoid Rated Current	200mA (initial value)
Solenoid Rated Power	4.8W
Solenoid Insulation Rating	Class B (130°C)
Housing Material	PA66 flame retardant
Conduit Port Size	M20
Contact Material	Silver Alloy Plated
Protection Class	IP67
Service Life	Mechanical more than 1 million times
	Electrical more than 150,000 times
Tensile Strength at Locking	1300N
Rated Insulation Voltage	300V
Rated Impulse Withstand Voltage	2.5kV
Rated Open Thermal Current	10A
Use Category	AC-15/DC-13
Rated Working Voltage	AC-15: 240V; DC-13: 30V
Rated Working Current	AC-15: 3A; DC-13: 2.3A
Rated Limit Short Circuit Current	1000A
Forced Disengagement Distance Action Force	≥ 80N
Forced Disengagement Distance	≥ 10mm
Allowable Operating Speed	0.05-0.5m/s
Allowable Operating Frequency	Max. 20 operations/min
Ambient Temperature	-20°C-60°C without icing
Ambient Humidity	Below 85%Rh
Weight	≤ 1000g

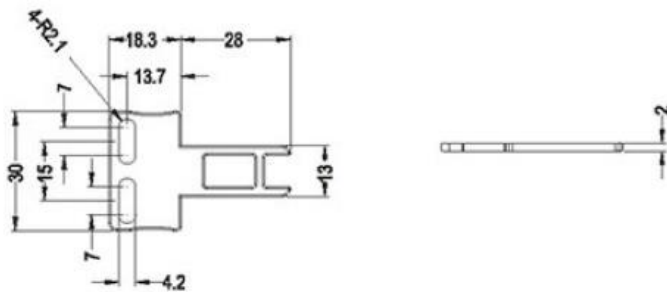
Door Limit Switch Body Dimensions



unit: mm

Operating Key Dimensions

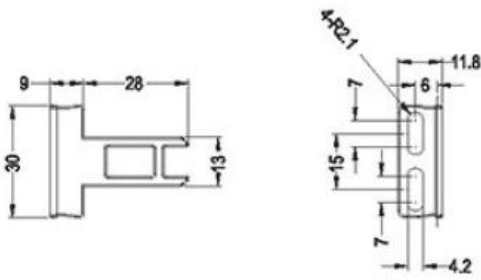
K1 operating key dimensions



T-type operating key



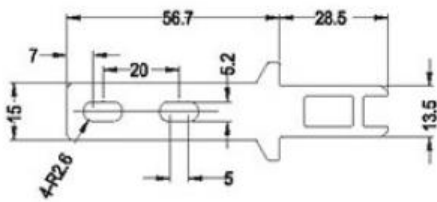
K2 operating key dimensions



L-type operating key



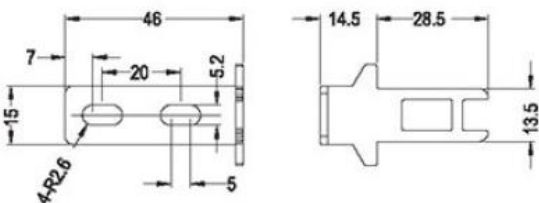
K3 operating key dimensions



Long T-type operating key



K4 operating key dimensions

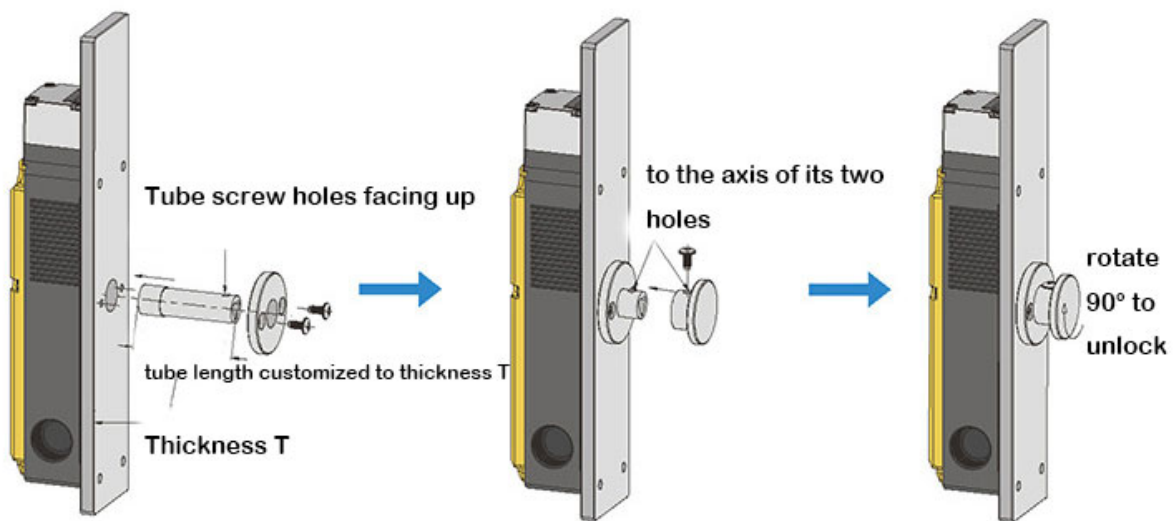
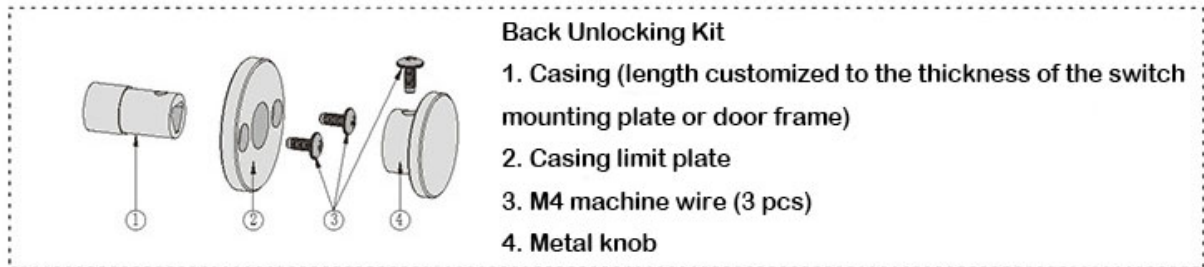


Long L-type operating key



Installation of the Operating Key

Installation diagram of DX-W2 back unlocking parts



Step 1

1. Install the electromagnetic lock switch on the switch plate or door frame.
2. Slide the sleeve through the switch plate or door frame and into the unlock knob on the back of the solenoid switch as shown in the diagram.
3. Use M4 machine wire to install the sleeve limit plate to the switch fixing plate or door frame.

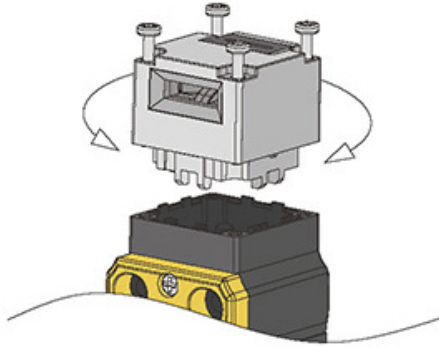
Step 2

1. Put the metal knob into the casing and center the two holes in it.
2. Fasten with M4 screws

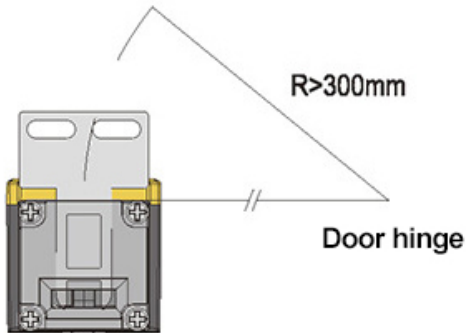
Step 3

1. Installation is completed as shown in the figure
2. The metal knob can only be rotated clockwise by 90°

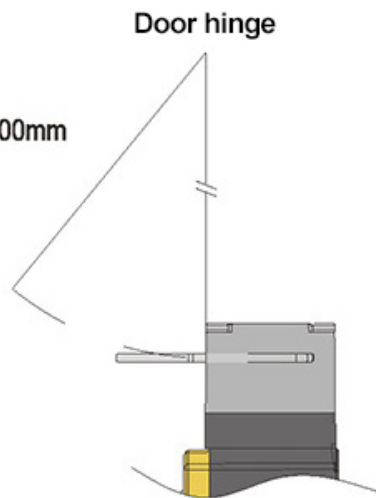
- Loosen the four screws at the top of the head, rotate the head direction to select the appropriate operation keyhole position before installation.



- When installing a flat door, it must be larger than the minimum radius.



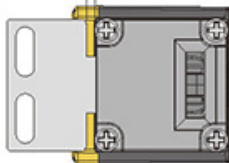
R > 300mm



- Install the switch and operation key in the prepared position range (1~3.5mm).

Preparation position:

1.0~3.5mm



- The allowable error of the installation of the operation key is within the range of $\pm 1\text{mm}$ based on the center of the operation key insertion hole.

