

ATO

Mini AC Leakage Current Clamp Meter DT-9810 User Manual



Please read this manual carefully before operation and keep it for reference.

Introduction

ATO DT-9810 mini AC leakage current clamp meter has a compact design, small size and easy to carry, safe, durable, high-precision measurement, and plays an important role in circuit maintenance, power detection, and equipment maintenance.

Features

1. High resolution 100 μ A AC
2. 3-1/2 digit (1999 points) LCD display
3. LED backlight display
4. Automatic shutdown
5. 1.2" (30mm) clamp opening size

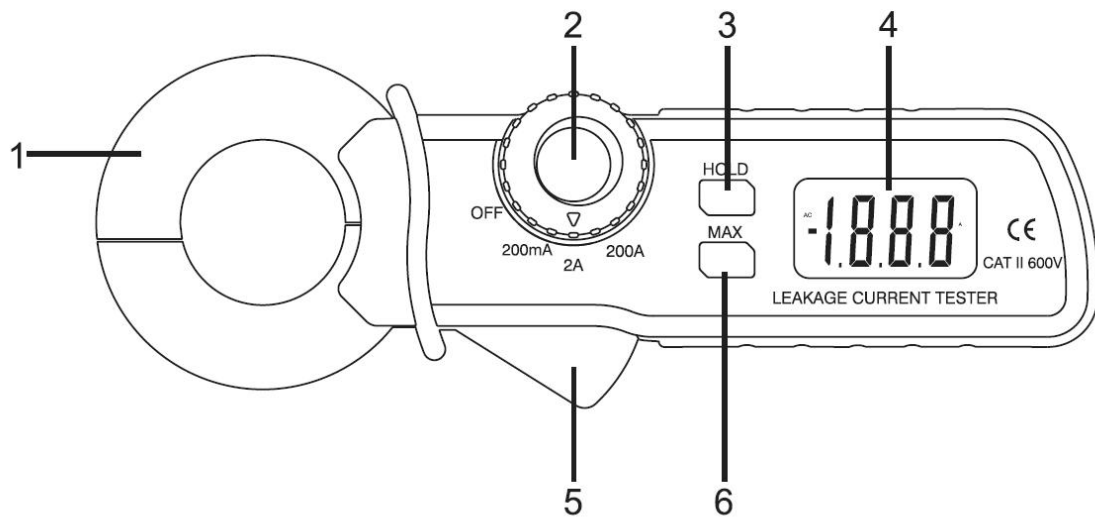
Specifications

Display	3-1/2 digit (1999 dots) LCD display, LED backlight display
Overload Indication	Displays "OL" on LCD screen
Display Rate	2 readings/second
Battery	2x1.5V batteries
Low Battery Indication	Displays on LCD screen
Automatic Shutdown	About 15 minutes
Working Conditions	0°C~30°C (32°F~86°F) 90%RH
Storage Conditions	30°C~40°C (86°F~104°F) 75%RH
Height	40°C~50°C (104°F~122°F) 45%RH
Weight	-25°C~60°C (-14°F~140°F); <90% relative humidity
Dimensions	Operating altitude less than 3000 meters
Jaw Opening	225 grams (including battery)
Standard	182x61x34mm(HxWxD)

Specification Range

Function	Range	Resolution	Accuracy
AC Current (60Hz)	200mA	100 μ A	$\pm(2.5\% \text{reading} + 8 \text{digits})$
	2A	1mA	$\pm(2.5\% \text{reading} + 8 \text{digits})$
	200A	100mA	$\pm(2.5\% \text{reading} + 8 \text{digits})$

Instrument Description



- 1-Inductive current clamp
- 2-Rotary function switch
- 3-Data hold and backlight keys
- 4-LCD display
- 5-Clamp trigger
- 6-"Maximum value" button

Safety Information



WARNING! SEE THIS MANUAL



DOUBLE INSULATION

The meter has been designed to be safe to use, but the operator must use it carefully and in accordance with the operating procedures. The rules listed below should be carefully followed for safe operation.

1. Do not use voltages or currents exceeding the maximum and minimum values specified on the meter.
2. Use extreme warnings: Be particularly careful when working with voltages greater than 25V AC, which will be considered a striking hazard.
3. Make sure the rear cover and fuse battery door are securely latched before operating the meter.

Input measurement limits		
Function		Maximum input
AC current	200mA	200mA
	2A	2A
	200A	200A

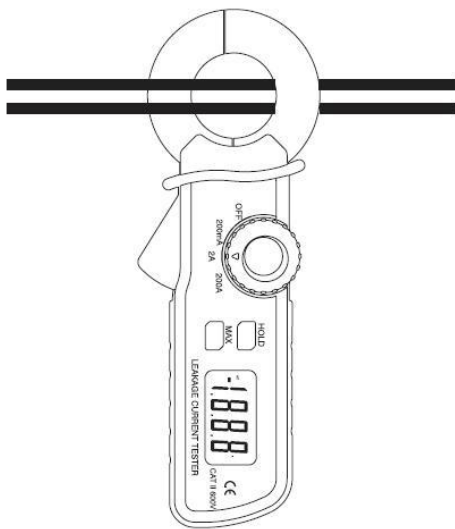
Operation

AC Current Test

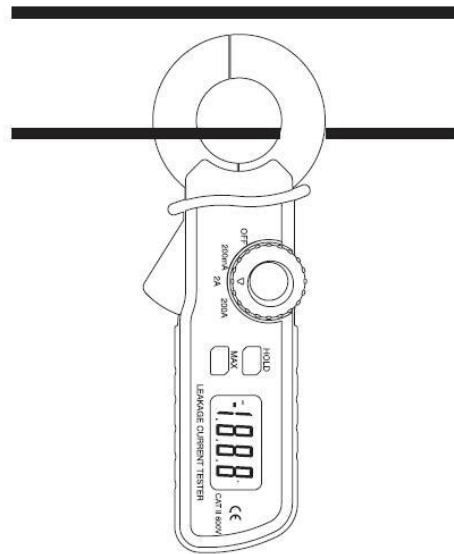
Warning: To avoid electric shock, disconnect the test leads first.

Current Test

1. Operate the switch function to set the desired current range.
2. Press the jaw trigger to open the jaws and clamp around the conductor making sure they are fully enclosed.
3. Please refer to the following chart for the specific measurement configuration application and read the ACA value on the LCD display.



Leakage current test



Load current test

Number hold function (HOLD button)

Press the HOLD value hold function key to lock the value, and the value will appear on the LCD display. To release the data hold function and return to normal operation, press the value hold function key again to cancel this function.

Backlight function

Press the backlight function key for more than 2 seconds. This operation also turns on the value hold function. To release the data hold function and return to normal operation, press the data hold key immediately to cancel this function. To turn off the backlight, press the backlight function key for more than 2 seconds.

Maximum reading hold function (MAX button)

Press the MAX value hold function key to lock the maximum reading value. MAX will be displayed on the screen. Press the MAX function key again to cancel this function.

Automatic shutdown

This meter will automatically shut down after 15 minutes of being turned on.

Battery replacement

- When the battery symbol is displayed on the instrument display, the battery should be replaced.
- Use a screwdriver to unscrew the screws of the battery door] and open the battery door.
- Open the battery back cover and replace 2 "AAA1.5V" batteries.
- Re-cover the battery door and tighten the screws of the battery door.